

QUADRA-FIRE

North America's Best
DV44 Direct Vent Gas Stove.

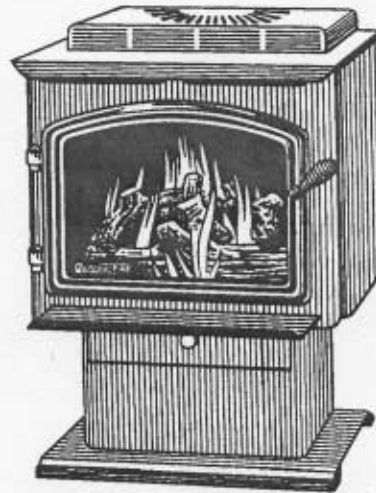
Installation, Operation, and Maintenance Instructions

Warnock Hersey



Clean Air

We Care



Also Available in French
Ask Your Dealer

Nous Avons Aussi Le Manuel en Francais.
Demandez á Votre Vendeur

WARNING

If the information in this manual is not followed exactly, a fire or explosion may result causing property damage, personal injury or loss of life.

FOR YOUR SAFETY

DO NOT store or use gasoline or other flammable vapors and liquids in the vicinity of this or any other appliance.

WHAT TO DO IF YOU SMELL GAS

Extinguish any open flame/Open windows
Do not try to light any appliance.
Do not touch any electric switch.
Do not use any phone in your building.
Immediately call your gas supplier from a neighbor's phone.
Follow the gas supplier's instructions.
If you cannot reach your gas supplier, call the fire department.

Installation and service must be performed by a qualified installer, service agency, or the gas supplier.



401 N. WYNNE

COLVILLE, WASHINGTON 99114

SAVE THESE INSTRUCTIONS

NOTES

DATE: _____

1. _____

2. _____

3. _____

4. _____

5. _____

TABLE OF CONTENTS

Safety Label	4
Safety Notices	5
Specifications	6
Gas Line Connections	6
Pressure Testing	6
Listings	6
Dimension Drawings	7
INSTALLATION	
Hearth Requirements	7
Clearances to Combustibles	7
High Altitude Operation	8
Manufactured Home Installation	8
Gas Conversion	8-9
Thermostat Installation	9
Remote Control	10
Log Set	10
Unpacking the Stove	11
Leg Installation	11
Pedestal Base Trim	11
Blower	12
MAINTENANCE	
Cleaning and Inspection	13
Burner Tubes Cleaning	13
Glass Cleaning	13
Glass Replacement	14
Lighting Instructions	15
Troubleshooting	16
Schematic Diagrams	17
Accessories/Replacement Parts	18
Warranty	20
Warranty Card	Insert

DV-44 SAFETY LABEL (FOUND ON BACK OF STOVE)



Warnock Hersey



APPROVED FOR CANADA AND USA TO /
VERIFIÉE SELON:

CAN 1 - 2.19 / ANSI Z21.4 - 1995 / CGA-R 411 AND 655

MODEL: DV 44-N (NATURAL GAS) (GAZ NATUREL)
DV 44-P (PROPANE)

GRAVITY DIRECT VENT WALL FURNACE /
RADIATEUR MURAL À ÉVACUATION
DIRECT PAR GRAVITÉ

SERIAL NO. / NO. DE SÉRIE

MANUFACTURED BY / FABRIQUÉE PAR:



401 N. Wynne
Colville, WA 99114

	DV 44 - N For use with Natural Gas Pour utiliser avec le gaz naturel	DV 44 - P For use with Propane Pour utiliser avec le propane	
Altitude	0 - 4500'	0 - 4500'	Altitude
Input High	43,000 BTUH	43,000 BTUH	Débit d'admission élevé
Input Low	28,000 BTUH	28,000 BTUH	Débit d'admission faible
Output Blower off	33,357 BTUH	34,578 BTUH	Débit avec souffleur arrêté
Output Blower on	34,782 BTUH	35,525 BTUH	Débit avec souffleur en marche
Manifold Pressure	3.5" WC	10" WC	Pression au collecteur
Min. Supply Pressure (For the purpose of input adjustment)	4.5" WC	11" WC	Pression d'approvisionnement min.
Orifice Size(DMS)			Dimensions de l'orifice (DMS)
Front Burner	#46	#55	Brûleur Avant
Rear Burner	#39	#52	Brûleur Arrière

NOTE: Altitude Parameters Apply To Canadian Models Only /
REMARQUE: Les paramètres d'altitude s'appliquent aux modèles canadiens uniquement.

NOT FOR USE WITH SOLID FUEL. / NE DOIT PAS ÊTRE UTILISÉ AVEC UN COMBUSTIBLE SOLIDE.

ONLY FOR DIRECT DISCHARGE WITHOUT DUCT CONNECTION. / POUR SORTIE D'ÉCHAPPEMENT DIRECTE SANS GAINÉ DE DISTRIBUTION SEULEMENT.

KEEP BURNER AND CONTROL COMPARTMENT CLEAN. SEE INSTALLATION AND OPERATING INSTRUCTIONS ACCOMPANYING THIS APPLIANCE. / MAINTENIR PROPRES LE BRÛLEUR ET LE COMPARTIMENT DE COMMANDE. VOIR LES INSTRUCTIONS RELATIVES À L'INSTALLATION ET AU FONCTIONNEMENT QUI ACCOMPAGNENT L'APPAREIL.

INSTALL & USE ONLY IN ACCORDANCE WITH MANUFACTURER'S INSTALLATION & OPERATING INSTRUCTIONS. / INSTALLER ET UTILISER SEULEMENT CONFORMÉMENT AUX MODÈS D'INSTALLATION ET DE FONCTIONNEMENT DU FABRICANT.

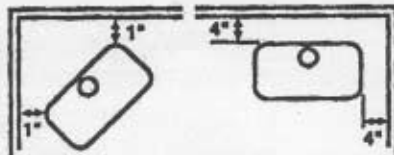
DUE TO HIGH SURFACE TEMPERATURES, KEEP CHILDREN, CLOTHING AND FURNITURE AWAY. / À CAUSE DE LA TEMPÉRATURE ÉLEVÉE DES PAROIS, TENIR ÉLOIGNÉS LES ENFANTS, LES VÊTEMENTS ET LES MEUBLES.

MANUFACTURED AS A /
FABRIQUÉ EN TANT QUE:

DV 44-N ■

DV 44-P ■

Minimum clearances required from combustible construction for all appliance surfaces.
Dégageur minimum nécessaires de toute construction à combustible pour toutes les surfaces de l'appareil.



A. Left & Right of Stove	100mm	4 in / po	Côté gauche et côté droit du poêle
B. Backwall	100mm	4 in / po	Mur arrière
C. Top of Unit	600mm	24 in / po	Partie supérieure de l'appareil
D. Vent Surfaces (All Sides)	25mm	1 in / po	Surfaces d'aération (tous les côtés)
E. Corner Clearances	25mm	1 in / po	Espacement des angles

ATTENTION

This appliance must be installed in accordance with local codes, if any; if not, follow the current CAN/CGA - B149 (CANADA) or ANSI Z223.1 (U.S.A.).

Cet appareil doit être installé conformément aux codes locaux, le cas échéant; si non, conformez-vous à la norme courante CAN/CGA - B149 (CANADA) ou ANSI Z223.1 (E.U.).

ELECTRICAL RATING: VOLTS 115, AMP. 1.5, HERTZ 60 (With Standard Blower Part #812-0061) /
CARACTÉRISTIQUE ÉLECTRIQUE: VOLTS 115, AMP. 1.5, HERTZ 60 (Avec Ventilateur Normal, pièce #812-0061)

VENTING INSTRUCTIONS / INSTRUCTIONS D'AÉRATION

	Min Vertical	Max Vertical	Min Horizontal	Max Horizontal
Standard Sidewall Venting / Aération de paroi latérale standard	24 in / po	10 ft / pi	11 in / po	15 ft / pi
Vertical Venting / Aération verticale	N/A N/D	30 ft / pi	N/A N/D	N/A N/D

Minimum wall thickness / Épaisseur de mur minimum 4" (102 mm).
Maximum wall thickness / Épaisseur de mur maximum 20" (508 mm)

This appliance must be properly connected to a venting system in accordance with the manufacturer's installation instructions by a qualified installer.

Cet appareil doit être convenablement raccordé à un système d'aération conformément aux instructions d'installation du fabricant par un installateur qualifié.

WARNING:

Improper installation, adjustment, alteration, service or maintenance can cause injury or property damage. Refer to the owner's manual provided with this appliance. For assistance or further information consult a qualified installer, service agency or the gas supplier.

SAFETY NOTICE

This appliance should only be installed by a qualified installer. Installation must conform to the local codes, or in the absence of local codes, with the latest edition of the national fuel gas code, ANSI Z223.1-(USA) or CAN./CGA B/49 Installation codes in Canada. Bedroom approved and manufactured home(mobile home) installation must conform to the manufactured home construction and safety standard,UL307B, TITLE 24 CFR, PART 3280, or when such a standard is not applicable, the standard for manufactured home installations, ANSI A225.1/ NFPA 501A.

When installed, the appliance must be electrically grounded in accordance with local codes or the latest edition of national electrical code ANSI/NFPA 70 in U.S.A. or CSA C22.1 Canadian electrical code in Canada.

It is imperative that the control compartment, burner, and circulating air passageways be kept clean and clear to allow for adequate combustion and proper operation. Provide adequate clearances around air openings and adequate accessibility clearance for service and operation. Never obstruct the openings of the appliance or the direct vent termination on the exterior of the building. Never vent the appliance to other rooms or buildings. Appliance must be vented only to outside.

Minimum clearances to combustibles must be maintained during installation. Minimum clearances and vent/air intake pipe clearances are shown on page 7.

Always contact your local building department or fire department prior to installing this appliance. If required, obtain a permit before installing and have the completed installation inspected. Failure to do this could jeopardize your homeowner's insurance.

The appliance area must be kept clear and free from combustible materials, gasoline and other flammable vapors or liquids.

This appliance is hot during operation and should be located out of heavy traffic areas and away from furniture and draperies. Clothing or other flammable materials should not be placed on or near the appliance.

Children and adults should be alerted to the hazards of high surface temperatures and should stay away to avoid burns or clothing ignition.

Children should not be left unsupervised in the room where this appliance is in operation.

Do not use this heater if any part has been under water. Immediately call a qualified service technician to inspect the heater and to replace any part of the control system and any gas control which has been under water.

This appliance should not be modified under any circumstances. Any parts removed for servicing must be replaced prior to operating this appliance.

Installation and repair should only be done by a qualified service person. This appliance and its venting system should be inspected and cleaned annually by a professional service person. More frequent cleaning may be necessary due to excess lint and dust from carpeting, bedding material, etc. Be sure to turn off gas valve and pilot before cleaning this appliance.

WARNING Do not operate appliance with the panel(s) removed, cracked or broken. Replacement of the panel(s) should be done by a licensed or qualified service person.

Install at least one smoke detector on each floor of your home to ensure your safety. It should be located away from the gas appliance and close to the sleeping areas. Follow the smoke detector manufacturers placement installations and maintenance instructions. Your local fire department may provide assistance in selecting smoke detectors or contact the consumer product safety commission, WA. D.C. 20207.

SPECIFICATIONS

	<u>NATURAL GAS</u>	<u>PROPANE</u>
Manifold pressure	3.5" W.C.	10.0" W.C.
Minimum inlet gas supply pressure for the purpose of input adjustment	4.5" W.C.	11.0" W.C.
Maximum inlet gas supply pressure	7.0" W.C.	14.0" W.C.
BTU input rating (high)	43,000 BTU/HR	43,000 BTU/HR
BTU input rating (low)	28,000 BTU/HR	28,000 BTU/HR
Efficiency with fan (steady state)	81.0%	83.0%
Efficiency without fan (steady state)	78.0%	80.0%
A.F.U.E. *	73.0%	74.0%

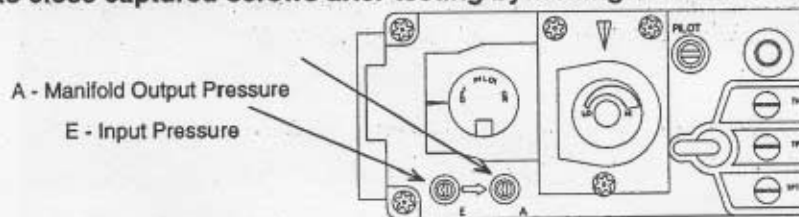
* Annual Fuel Utilization Efficiency is applied to the Department of Energy. This standard is not required by the Department of Energy for the certification stated in ANSI Z223.1 (in U.S.A.)

GAS LINE CONNECTION

!!!CAUTION!!!

IN SOME AREAS GAS LINE PRESSURE MAY BE MORE THAN 1/2 PSIG (14" W.C.). IF YOU HAVE ANY DOUBT WHETHER THIS IS THE CASE IN YOUR LOCALITY CONTACT YOUR GAS SUPPLIER OR LOCAL UTILITY COMPANY. LINE PRESSURE GREATER THAN 1/2 PSIG WILL DAMAGE THE APPLIANCE VALVE. YOU MUST INSTALL A REGULATOR UPSTREAM FROM THE APPLIANCE IF LINE PRESSURE IS GREATER THAN 1/2 PSIG.

Gas line connection can be made near the lower rear of the appliance. You must supply a shut-off valve installed in a visual location within 3 feet of the stove. The gas valve is supplied with pressure test ports for checking input and output pressures. These are located just below the on-off knob and can be found inside the access door in the pedestal front. The port on the left is for input pressure and the port on the right for output. Pressure can be checked by turning the captured screw counterclockwise 2 or 3 turns and then placing the manometer tubing over the test port. **Be sure to close captured screws after testing by turning them clockwise. Do not overtighten screws.**



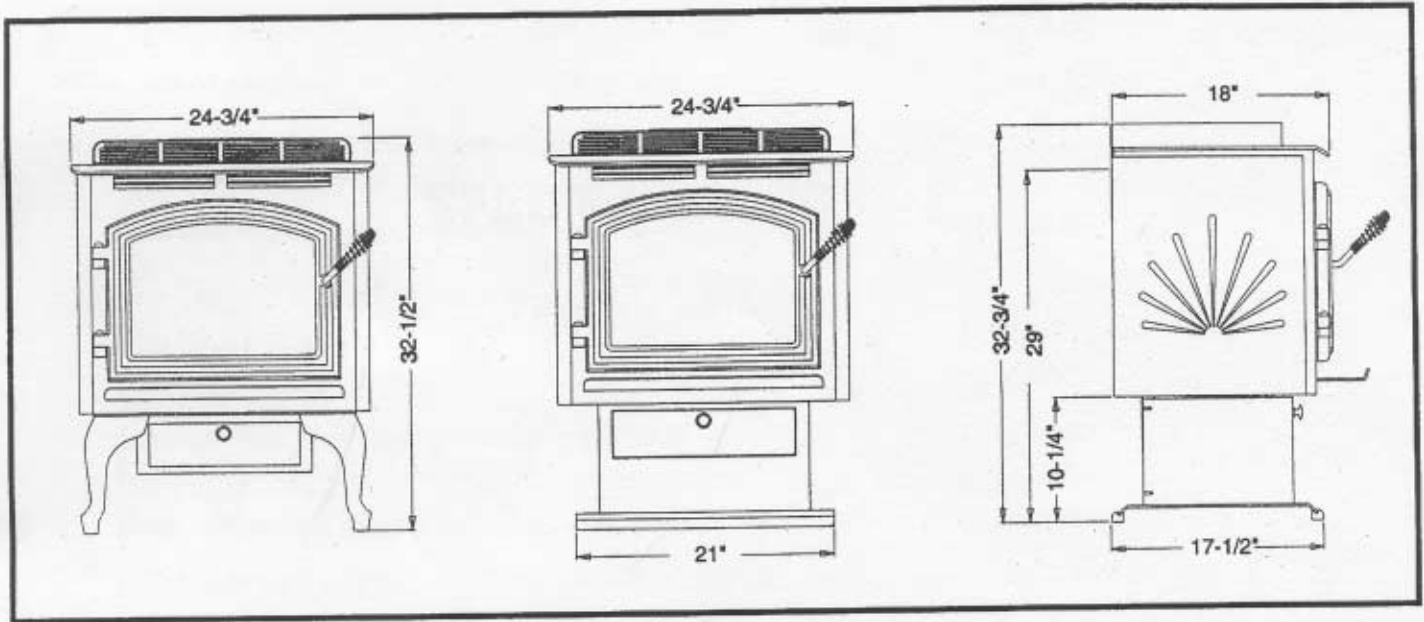
PRESSURE TESTING

During any pressure testing of the gas supply piping system that exceeds test pressures of 1/2 psig, this appliance and its individual shut-off valve must be disconnected from the piping system. If test pressure is less than or equal to 1/2 psig then this appliance must be isolated from the piping system by closing its individual shut-off valve.

LISTINGS

The **Quadra-Fire DV44** is listed to CAN 1-2.19/ANSI-Z21.4 1995/CGA-R#41 and #55 by Warnock Hersey International.

DIMENSIONS



INSTALLATION INSTRUCTIONS

This appliance must be installed by a qualified service person. Your dealer or your local gas supplier will be able to refer you to a qualified service person.

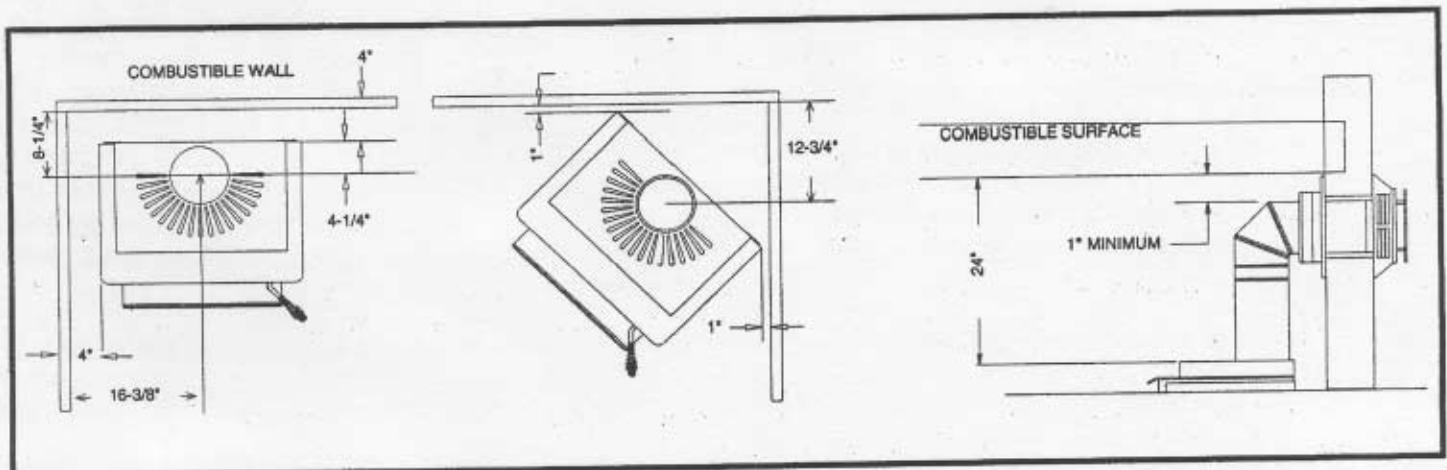
Gas hook up: When installing the gas line stay within 4 inches of the base plate if the pedestal.

HEARTH REQUIREMENTS

When the appliance is installed directly on carpeting, combustible tile or other combustible material other than wood flooring, the appliance shall be installed on a metal, non-combustible tile or wood panel extending the full width and depth of the appliance. A raised hearth is allowed as long as all stove and pipe clearances are maintained.

CLEARANCE TO COMBUSTIBLES

Minimum Clearances Required From Combustible Construction.



Note: Alcove installation must maintain all stove and venting clearances.

HIGH ALTITUDE OPERATION

In Canada, this unit is approved from 0 to 4500 feet above sea level. Installation of this appliance at altitudes above 4500 feet above sea level are subject to field test of the individual installation and approval by the **local authority having jurisdiction**.

In U.S.A., Input ratings of this unit are based on sea level operation and shall not be changed for operation at elevations up to 2000 feet, this appliance shall be reduced at the rate of 4 percent each 1000 feet above sea level.

Exception: As permitted by the authority having jurisdiction.

MANUFACTURED HOME INSTALLATION

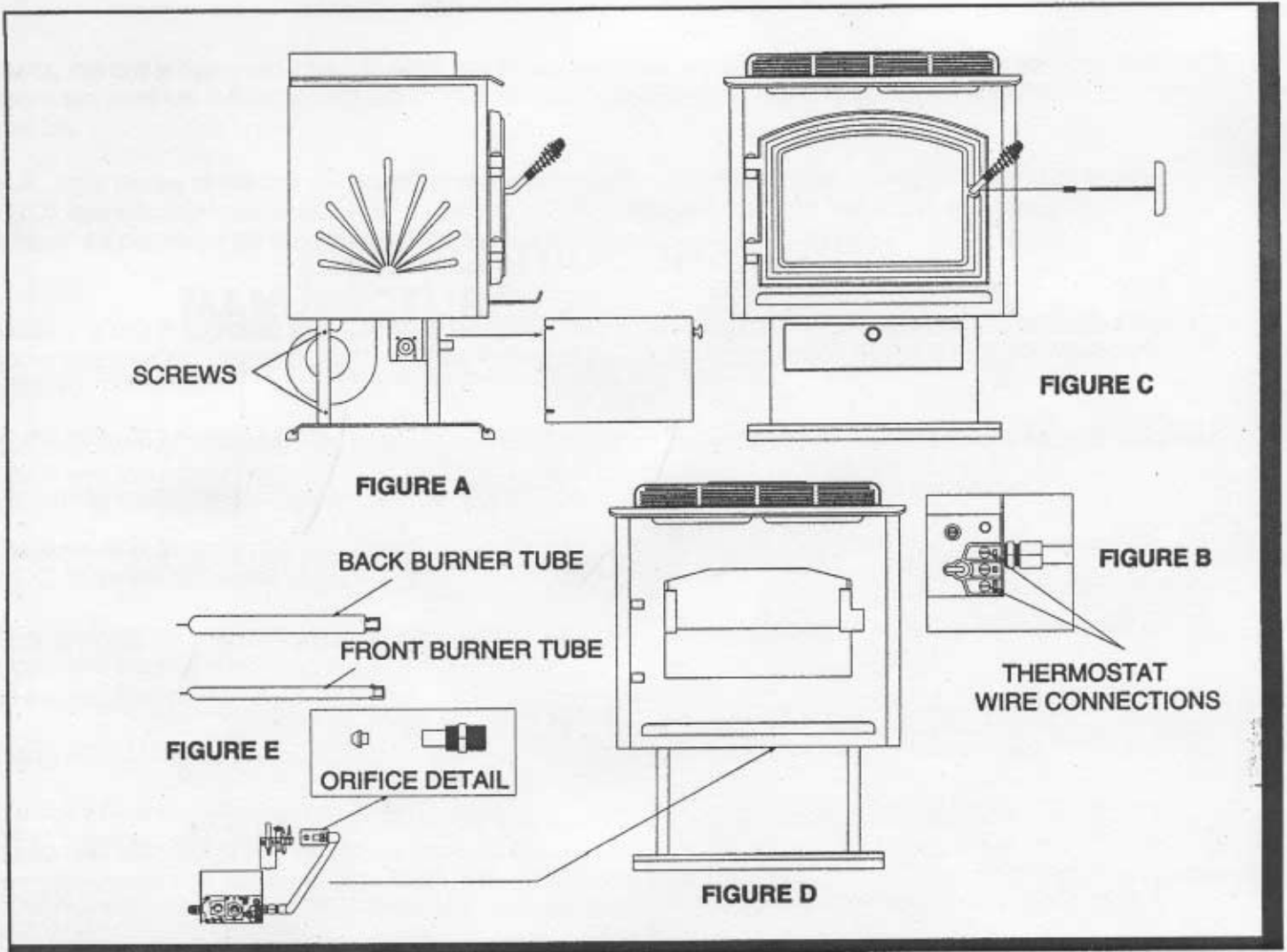
- 1) The stove must be secured to the manufactured home floor with lag bolts or like item.
- 2) Do not install in a sleeping room.
- 3) The structural integrity of the manufactured home floor, walls, and ceiling/roof must be maintained.
- 4) The stove must be grounded with #8 solid copper grounding wire or equivalent terminated at each end with an N.E.C. approved grounding device.
- 5) Refer to clearance to combustibles section on page 7 for listing to combustibles and refer to venting manual for appropriate chimney systems.

PROPANE OR NATURAL GAS CONVERSION

CAUTION: SHUT OFF AND UNPLUG FAN CORD BEFORE PROCEEDING!

1. Loosen the four screws that secure the pedestal riser and slide it forward. Use the tee handle allen wrench supplied with the stove. See figure A (Page 9). With the leg model stove there are two phillips head screws on the right side of the stove that hold the control valve shield on. Remove them to gain access to the valve.
2. Disconnect the wires from the igniter and the motor speed control in order to remove the pedestal-riser or control valve shield on leg models.
3. Disconnect the thermostat wires and the connecting pipe going to the manifold tube from the gas valve. See figure B (Page 9).
4. Loosen the door handle locking screw and open the door. See figure C (Page 9).
5. Carefully remove the logs and log rack, they are extremely fragile. See page 10, Log installation instructions when reinstalling.
6. Remove the burner tubes by removing the screw at the left end and pulling it free of the orifice at the right end.
7. Remove the four screws holding the assembly bracket using a #2 phillip head screw driver. See figure D (Page 9).
8. The valve assembly will now lower and move to the right for removal.
9. Remove orifice spuds and install the conversion orifice spuds, when converting to LP #55 installs in front and #52 installs to the rear. When converting to NG #46 installs in front and #39 installs to the rear when converting to NG. See figure E (Page 9).
10. Install the propane/natural gas valve assembly and reassemble in reverse order. Gradually tighten the screws so that the plate seals to the bottom of the firebox.

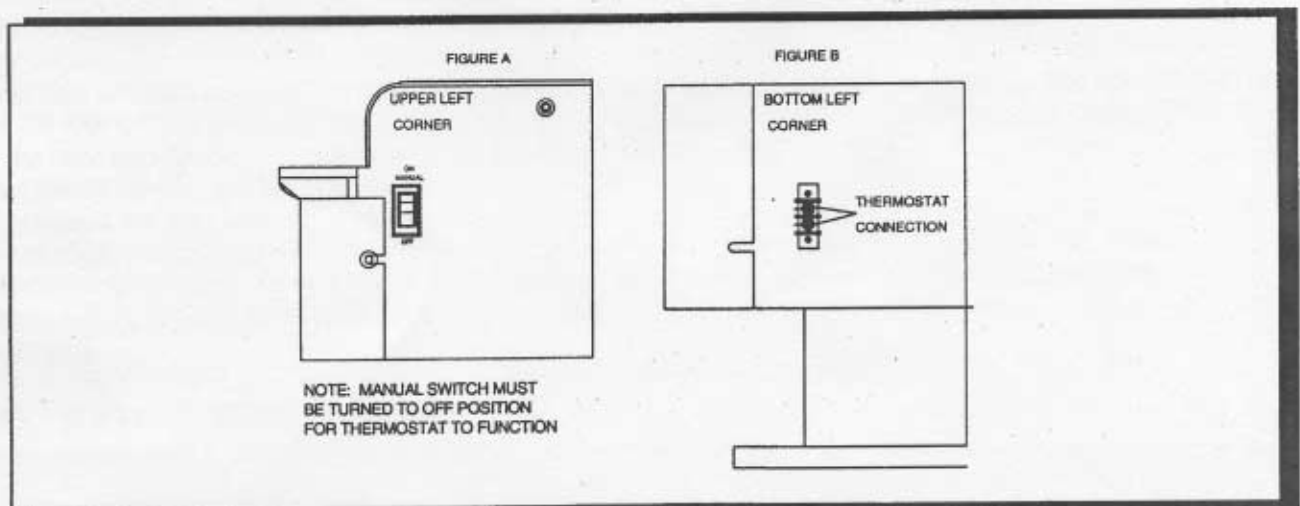
WARNING: WHEN COMPLETING THE CONVERSION CHANGE OUT, THE INSTALLER MUST APPLY THE CONVERSION LABEL, SUPPLIED WITH THE KIT, TO THE INSIDE BOTTOM OF THE PEDESTAL WHEN COVER IS REMOVED.



THERMOSTAT INSTALLATION

If desired a thermostat may be installed to regulate the **Quadra-Fire DV-44**. It is important to use a thermostat designed for millivolt operation. Do not connect this appliance to a thermostat serving any other appliance.

Connect the thermostat wires to the two screw terminals on the lower rear of the appliance and turn off the manual switch (see Figure A below) on the upper back corner of the stove.



REMOTE CONTROL

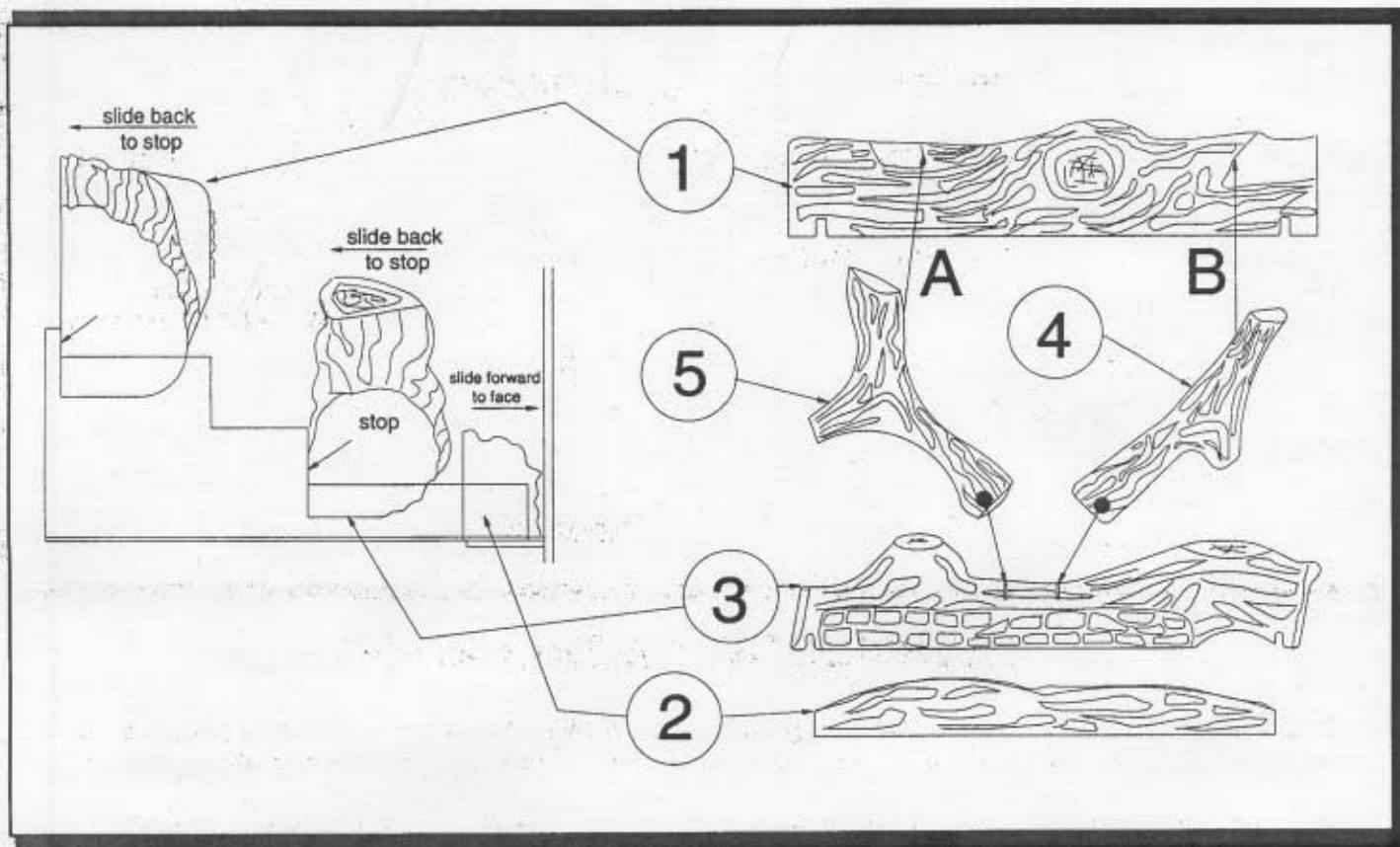
A remote control or a wall switch may be wired to the thermostat terminals. Contact your **Quadra-Fire** dealer or service person for details.

INSTALLING THE LOG SET

Note: The vacuum formed ceramic logs are extremely fragile. **Please handle them carefully.** Small chips on the logs can be covered up using the touch up paint supplied with the stove.

The logs have been numbered as follows on the backside for ease of identification:

NOTE: LOG PLACEMENT IS IMPORTANT TO PREVENT SOOTING!



INSTALL LOGS BY FOLLOWING INSTRUCTIONS BELOW IN THEIR NUMERICAL ORDER.

NOTE: FRONT LOG (2) MUST BE POSITIONED AS IT IS SHOWN.

1. Take log #1 (rear log) and install on the top shelf of the log rack. Slide the log back until it stops. As shown in the diagram above.
2. Insert log #3 (middle log) on the bottom shelf and push it back until it stops, as seen above.
3. Insert log #2 (front log) in between the bottom shelf of the log rack and slide all the way forward, as seen above.
4. Insert log #4 onto the right stud protruding from log #3 and align it with area B (as shown above) on log #1. It is very important to align log #4 with area B for a proper flame.
5. Insert Log #5 onto the left stud protruding from log #3 and align it with area A (as shown above) on log #1. It is very important to align #5 with area A for proper flame.

UNPACKING THE STOVE

Pedestal

1. Unbolt pallet using a 7/16" wrench to remove the two bolts from the underside of the pallet.
2. Packaged inside the main box is an accessory box containing:
 - a. Log set
 - b. Oak pedestal trim
 - c. Touch up paint
 - d. Tee handle allen wrench tool

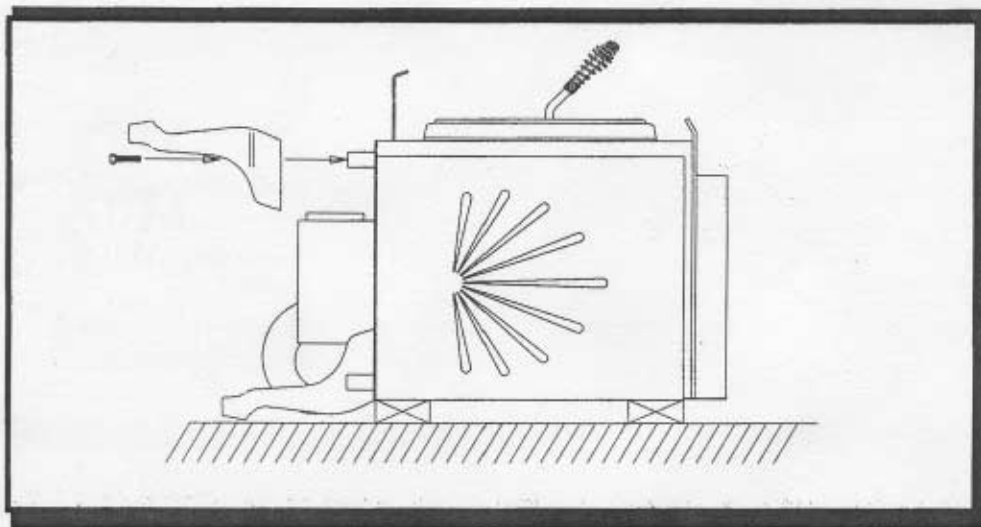
Leg

1. Unbolt pallet using a 9/16" wrench to remove the four bolts from the underside of the pallet.
2. Packaged inside the main box is an accessory box containing:
 - a. Log set
 - b. Touch up paint
 - c. Tee handle allen wrench tool

LEG INSTALLATION

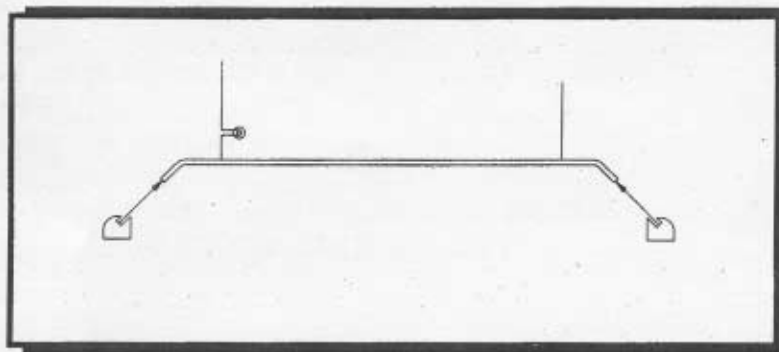
1. Gently lay stove on its back as seen below.
NOTE: Place two 2" x 4" pieces vertically under back of the stove to prevent damage to the blower.
2. Place leg over mounting stud (as seen below), take one 3/8" x 1" bolt from leg kit use a 9/16" wrench to tighten bolt. Repeat this step for the other three legs.
3. Be sure legs are securely in place. Gently lift stove off back and place on legs.
4. Use a leveling device to adjust the carriage bolts until the stove is level.

Leg Kit Options
 831-1230 Standard
 831-1240 Q-Anne Cast
 831-1250 Q-Anne Gold



INSTALLING THE OAK TRIM STRIPS

Unwrap the strips and fit the front and rear edges of the pedestal base into the grooves in the trim strips.

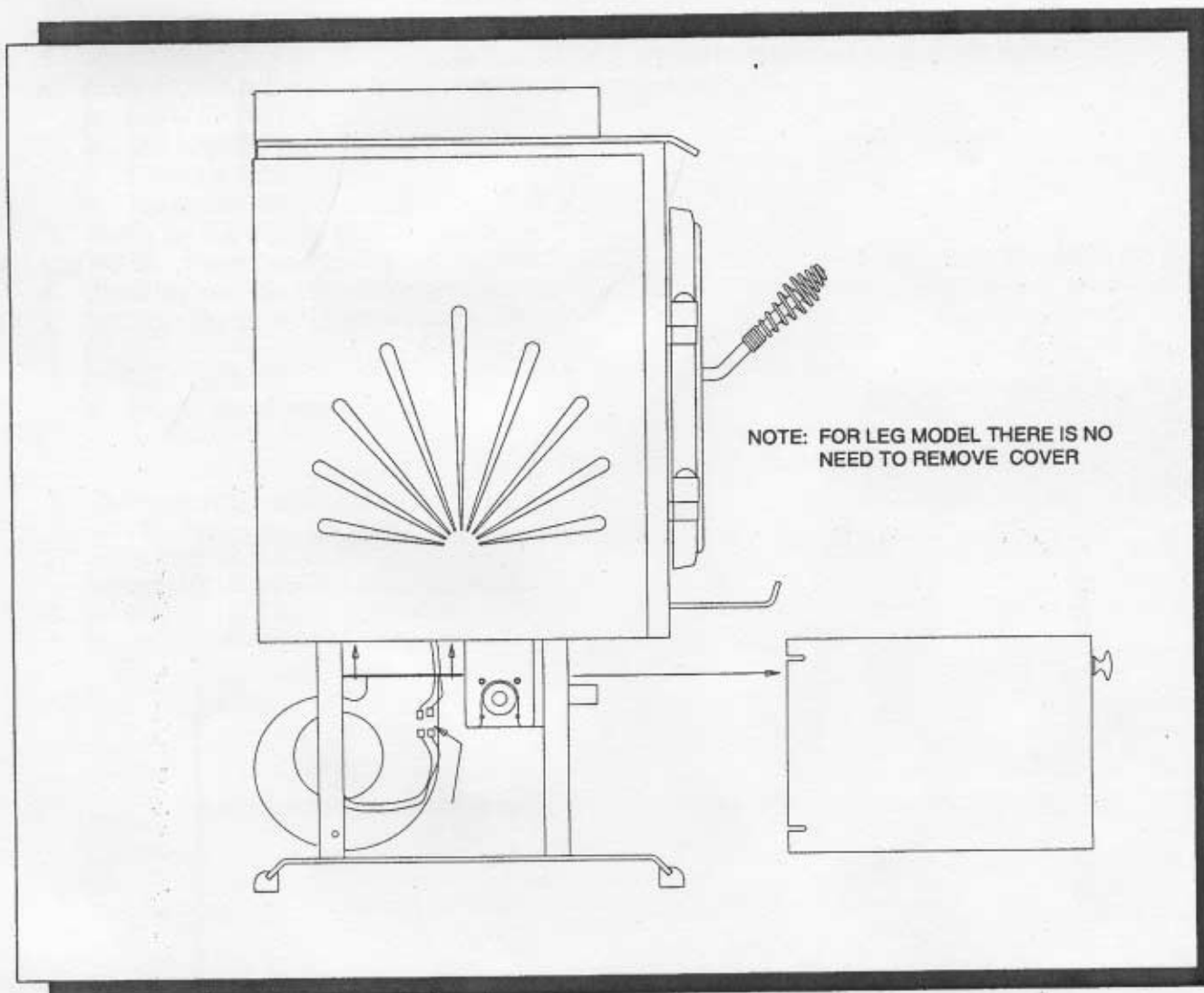


BLOWER REPLACEMENT INSTALLATION

The Quadra-Fire DV-44 comes from the factory with a 160 cfm blower. For replacement of this blower (order part #812-0061), see instruction below.

NOTE:

Blower does not require lubrication, however, we recommend vacuuming or brushing off dust or lint from the fan blades as needed. Accessible from the left or right side of the stove on leg models, For pedestal models follow blower removal instructions 1,2,5, and 6.



NOTE: WITH LEG MODEL START AT #3.

1. Loosen the four screws that secure the pedestal riser and slide it forward.
2. Disconnect the wires from the igniter and the motor speed control in order to remove the pedestal riser.
3. Disconnect the blower wires from the wire on the leg model. Remove the old blower from its bracket inside of the pedestal riser.
4. Reconnect the replacement blower wires.
5. Reassemble the stove. Be sure to reconnect speed control and igniter.
6. Check for spark at pilot assembly after reconnecting. If none, check wire connections.

IMPORTANT! The blower is equipped with a three prong (grounding) plug for your protection against shock hazard and should be plugged directly into a properly grounded 3 prong receptacle. Do not cut or remove the grounding prong from this plug.

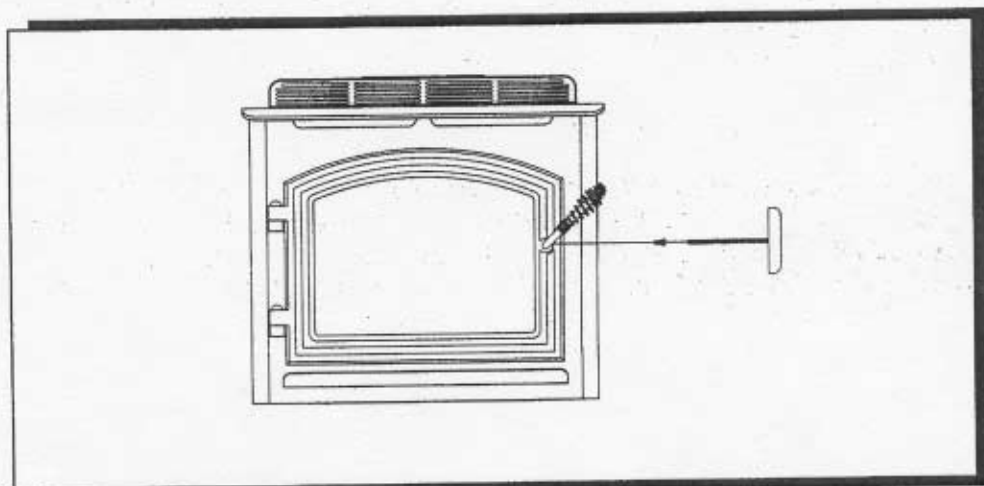
MAINTENANCE

CLEANING AND INSPECTION

At least once yearly, preferably before the heating season, have the stove and venting system cleaned and inspected by a qualified service person. This will ensure proper and safe operation throughout the year.

CLEANING THE BURNER TUBES

1. Turn off pilot light.
2. Open door by first loosening the allen screw with the allen key (located in the cast door by the handle).
3. Remove logs.
4. Vacuum burner compartment especially around orifice/primary air openings.
5. Reinstall logs. See page 10 for log installation instructions.
6. Check pilot and main burner.
7. Close front door and lock it in place with the allen screw.
8. Recheck pilot and main burner operation.



GLASS CLEANING

WARNING: DO NOT CLEAN GLASS WHEN HOT

1. Turn off pilot
2. Open door by loosening the allen screw (located in the cast door by the handle) with the allen key provided with the appliance.

WARNING: DO NOT USE ABRASIVE CLEANERS ON GLASS SURFACE

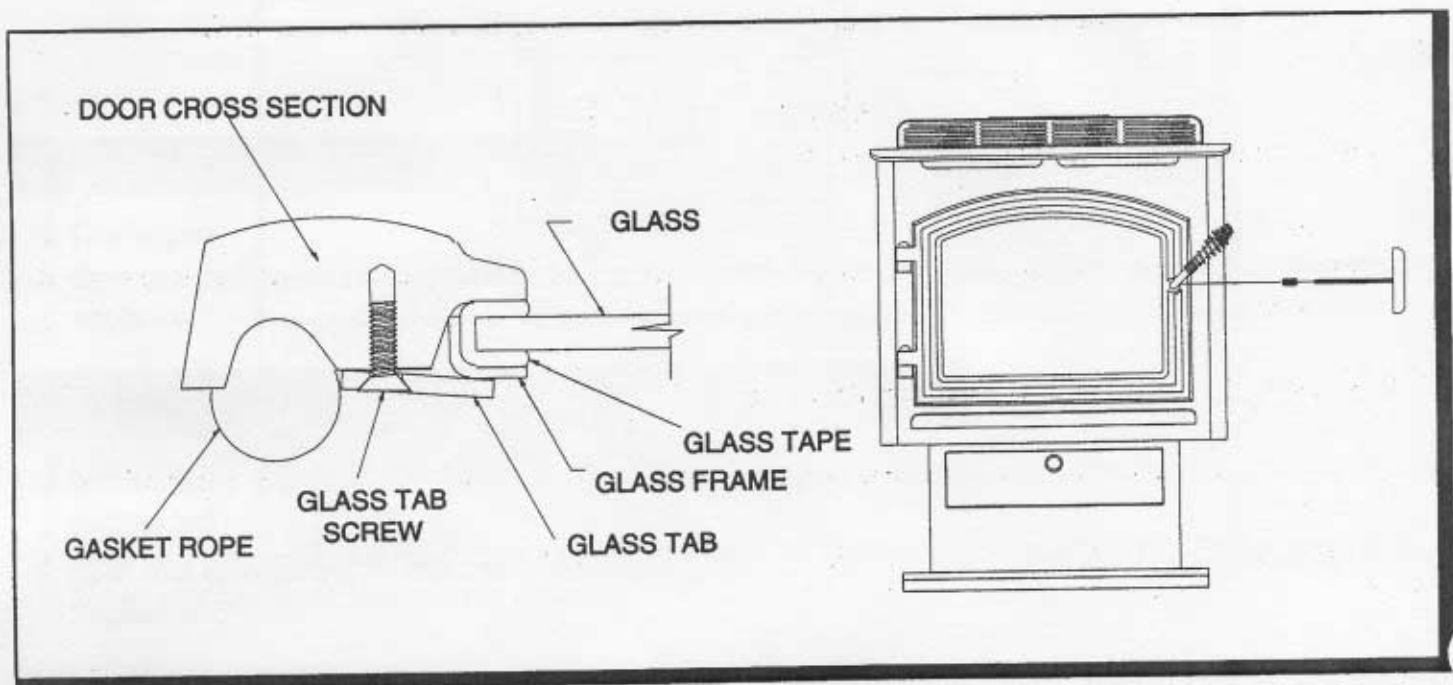
3. With a soft rag or paper towel use regular glass cleaner, spray the glass cleaner on glass surface and wipe off until surface is dry.
4. Close door, be sure to pull handle tight and tighten allen screw to prevent opening of the door while in operation.
5. Relight pilot and check main burners operation.

GLASS REPLACEMENT

WARNING: USE ONLY MANUFACTURER SUPPLIED PARTS (PART NUMBER 842-0400), ASSEMBLY SHALL BE REPLACED AS A COMPLETE UNIT.

1. Turn off pilot light.
2. Open door by first loosening the allen screw with the allen key (located in the cast door by the handle) with the allen key provided with the appliance.
3. Remove the door from the stove, by lifting it off the hinges and lay it on a padded flat surface.
4. Remove the glass tabs and screws using a phillips screwdriver.
5. Lift the glass frame pieces and glass out of the door frame. **NOTE: Broken glass is extremely sharp take caution when moving, we recommend using leather gloves and safety glasses when performing this task.**
6. Lay the glass with fiberglass tape around it in the door. (make sure the Quadra-Fire logo reads correctly to the outside).
7. Place the glass frame pieces over the fiberglass tape along the edge of the glass. Be sure the glass is centered in the opening.
8. Reinstall all the glass tabs and screws tightly enough to hold the glass in place.
9. Check again that the glass is centered in the door frame before giving all the screws a final tightening. **NOTE: OVERTIGHTENING CAN CRACK THE GLASS.**
10. Reinstall door on hinges, be sure to pull door handle tight and tighten allen screw to prevent opening while in operation.
11. Relight pilot and check main burners operation.

WARNING: THIS IS A SEALED COMBUSTION APPLIANCE. THE DOOR MUST BE TIGHTLY CLOSED (AND THE DOOR HANDLE LOCKING SCREW TIGHTENED) DURING OPERATION. NEVER OPERATE IT WITH BROKEN GLASS OR WITH DOOR OPEN AS THIS COULD LEAD TO DANGEROUS INDOOR AIR POLLUTION. DO NOT ABUSE DOOR GLASS, SUCH AS SLAMMING THE DOOR OR STICKING THE GLASS.



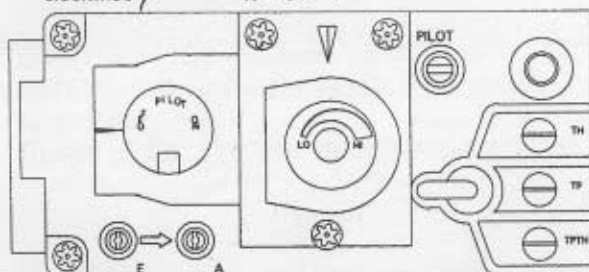
FOR YOUR SAFETY READ BEFORE LIGHTING

WARNING: If you do not follow these instructions exactly, a fire or explosion may result causing property damage, personal injury, or loss of life.

- A. This appliance has a pilot which must be lighted by hand. When lighting the pilot, follow these instructions exactly.
- B. **BEFORE LIGHTING** smell all around the appliance area for gas. Be sure to smell next to the floor because some gas is heavier than air and will settle on the floor.
- WHAT TO DO IF YOU SMELL GAS**
- * Do not try to light any appliance.
 - * Do not touch any electric switch; do not use any Phone in your building.
 - * Immediately call your gas supplier from a neighbor's phone. Follow the gas supplier's instructions.
- * If you cannot reach your gas supplier, call the fire department.
- C. Use only your hand to push in or turn the gas control knob. Never use tools. If the knob will not push in or turn by hand, don't try to repair it, call a qualified service technician. Force or attempted repair may result in fire or explosion.
- D. Do not use this appliance if any part has been under water. Immediately call a qualified service technician to inspect the appliance and to replace any part of the control system and any gas control which has been under water.

LIGHTING INSTRUCTIONS

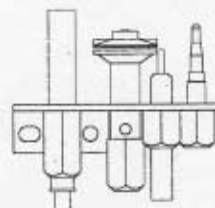
1. **STOP!** Read the safety information above this section.
2. Set the thermostat to lowest setting. (if applicable) and turn off the switch on the back of the appliance.
3. Turn off all electric power to the appliance.
4. Pull open the door below the ash lip to expose the gas control.
5. Push in gas control knob slightly and turn clockwise to "OFF".



NOTE: Knob cannot be turned from "PILOT" to "OFF" unless knob is pushed in slightly. Do not force.

6. Wait five (5) minutes to clear out any gas. Then smell for gas, including near the floor. If you smell gas, **STOP!** Follow "B" of the safety information above. If you don't smell gas, go to the next step.

7. The pilot should be visible through the door glass in the lower right hand corner between the front and middle logs.



8. Turn knob on gas control counterclockwise to "PILOT".
9. Push in control knob all the way and hold in. Immediately light the pilot by repeatedly depressing the piezo igniter until a flame appears. Pilot should remain lit. If it goes out, repeat steps 5 through 10.
10. Turn gas control knob counterclockwise to "ON".
11. Close control access panel and turn on switch (located at upper rear corner of stove).
12. Turn on all electric power to the appliance.
13. Set thermostat to desired setting (if applicable, turn off the switch on the back of stove).

TO TURN OFF GAS TO APPLIANCE

1. Set the thermostat to lowest setting.
2. Turn off all electric power to the appliance if service is to be performed.
3. Open control access panel.
4. Push in gas control knob slightly and turn clockwise to "OFF" Do not force.
5. Close control access panel.

TROUBLESHOOTING

A. PILOT WON'T LIGHT

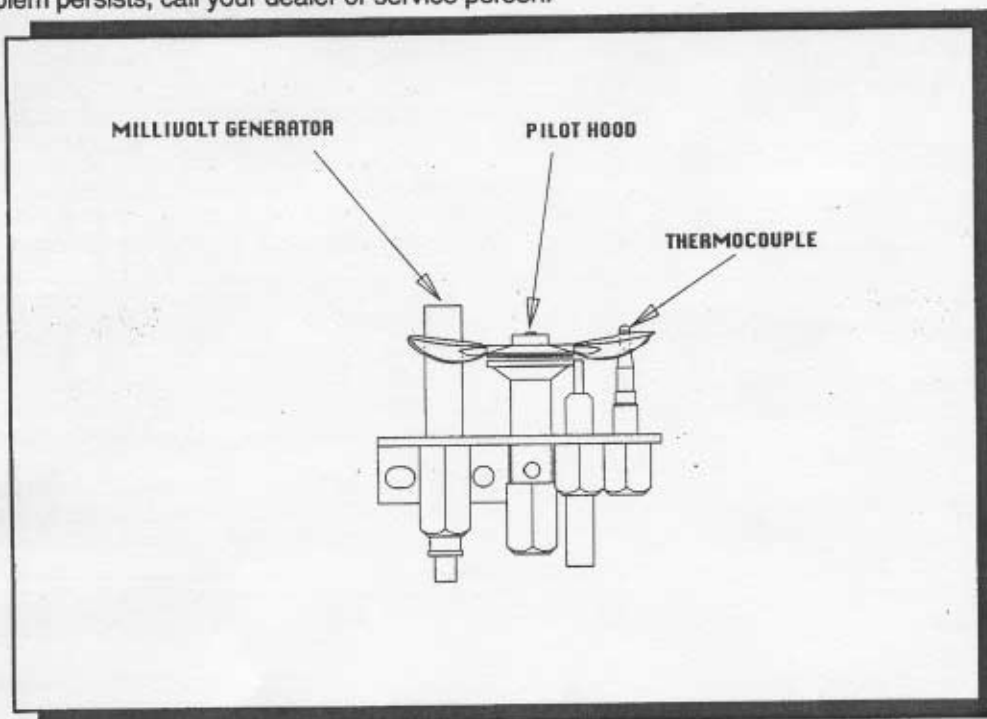
1. Make sure valve setting is in pilot position.
2. Check for spark at igniter.
 - a. If no spark:
 1. Check the wiring between the piezo and the igniter. If bad, fix wiring, if good, you may have a faulty piezo or cracked ceramic on the electrode.
 2. Call your **Quadra-Fire** dealer.
 - b. If there is spark:
 1. Try to light the stove with a match. The flame should either light or flutter.
 - a. If the flame flutters but does not light the pilot, there probably is air in the line. Bleed the line until gas comes through.
 - b. If the match flame does not flutter, make sure the gas is turned on and be sure you are pushing the knob in all the way. If this still doesn't help you may be dealing with a bad valve, a blocked pilot orifice, or a kinked pilot line.
2. Call your dealer or service person.

B: PILOT GOES OUT WHEN KNOB IS RELEASED.

1. Wait 5 minutes and try again. If the pilot still goes out try again and hold the knob in longer.
2. If the problem persists call your dealer or service person.

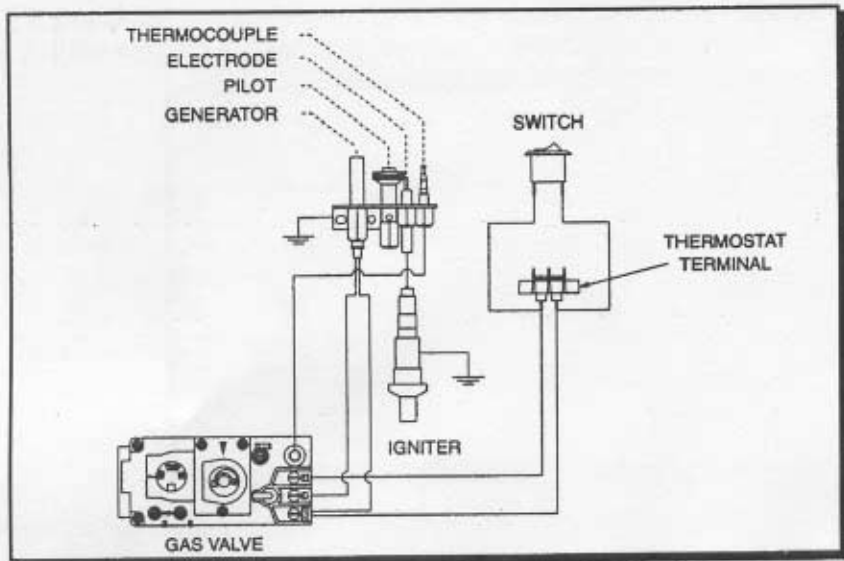
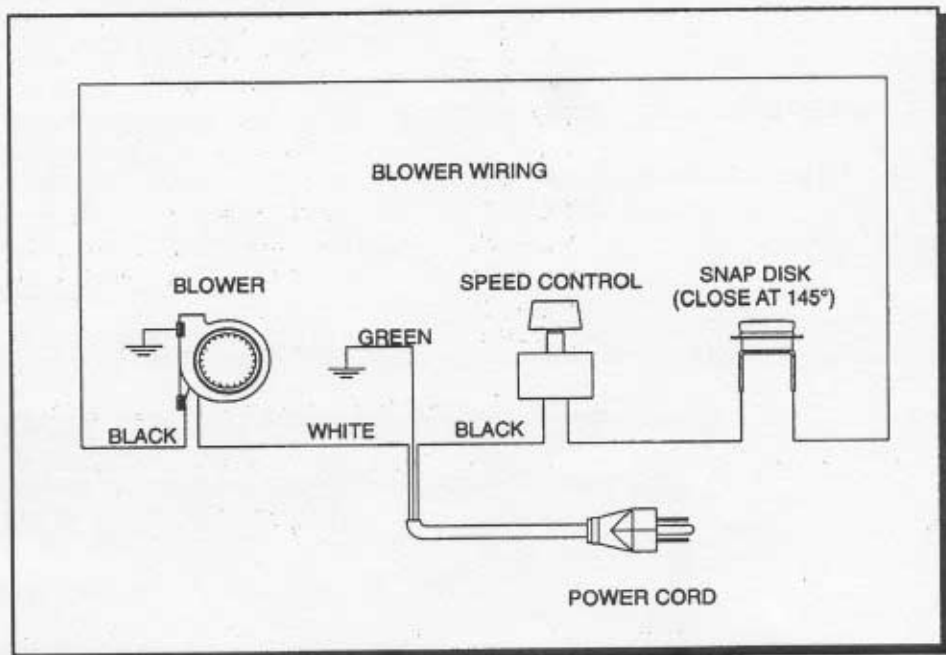
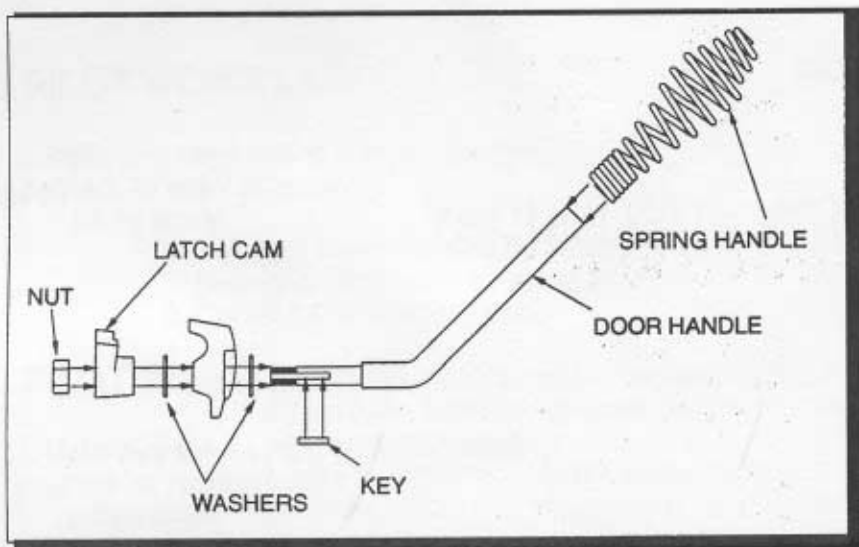
C: PILOT LIGHTS BUT BURNER WON'T IGNITE.

1. Make sure the knob is turned to the on position.
2. Turn the thermostat up.
3. If there is no thermostat, flip the switch on the back of the stove. If this doesn't work, short out the thermostat screws.
4. Check the thermostat and thermopile connections at the valve and tighten or reconnect if needed.
5. If this problem persists, call your dealer or service person.



Check the pilot and burner flames periodically. They should appear similar to the illustrations above.

SCHEMATICS



ACCESSORIES

- 831-1230 Legs, Standard
- 831-1240 Legs, Queen-Anne Cast
- 831-1250 Legs, Queen-Anne Gold
- 841-0010 Grill, Top Shield Gold

SERVICE PARTS

- 812-0061 Blower, 160 cfm
- 842-0740 Millivolt Generator
- 842-0260 Wooden Knob for the Pedestal Door
- 842-0280 Door Assy with Trim
- 842-0800 Door, Valve Access, Base
- 842-0290 Door, Valve Access, Pedestal
- 842-0760 Baffle
- 842-0320 Rocker Switch
- 842-0810 Pressure Relief Valve Gasket
- 842-0780 Owners Manual
- 842-0790 Venting Manual
- 842-0360 Piezo Igniter
- 842-0380 Power Cord, 6 ft
- 842-0390 Thermocouple
- 842-0400 Door Glass Assembly
- 842-0420 Ceramic Logs, 5 Piece Set
- 842-0820 DV 44 Component & Accessory pack
- 812-0850 LP Conversion Kit
- 842-0840 NG Conversion Kit

These may be ordered through your dealer

NOTES

NOTES

QUADRA-FIRE

North America's Best

GAS APPLIANCE LIMITED LIFETIME WARRANTY

Aladdin Hearth Products, warrants this gas heating appliance to the original purchaser for the lifetime of the appliance, to be free from defects in material and workmanship. This warranty gives you specific legal rights; you may have other rights which may vary from state to state.

This limited Lifetime Warranty covers items such as but not limited to combustion chambers, burners, gas logs, and gold plating.

All parts to be replaced must be returned to an authorized Aladdin Hearth Products dealer at purchaser's expense for inspection and approval by Aladdin Hearth Products prior to repair or replacement. No repair or replacement costs will be honored without approval of Aladdin Hearth Products.

This new Quadra-Fire product must be installed by a competent, authorized service contractor. It must be installed and operated at all times in accordance with the Installation, Operation and Maintenance Instructions in this manual, as well as any applicable local and national codes. Any alteration, willful abuse, accident, or misuse of the product shall void this warranty.

Any installation, construction, transportation, or other related costs or expenses arising from defective part(s), repair, replacement, etc., will not be covered by this warranty, nor will Aladdin Hearth Products assume responsibility for them. Further, Aladdin Hearth Products will not be responsible for any incidental, indirect, or consequential damages, except as provided by law.

All electrical components such as but not limited to blowers, wiring, thermodisc switches and gas valves are covered by Aladdin's one year warranty program.

Aladdin Hearth Products will not be responsible for any alteration to the unit which causes sooting that results in damage to the interior of the building in which this appliance is installed.

This warranty is void if the stove has been operated in atmospheres contaminated by chlorine, fluorine, or other damaging chemicals, or the stove is subjected to prolonged periods of dampness or condensation.

This limited Lifetime Warranty does not extend to or include paint or ceramic insulating materials. It does not cover installation or operational related problems such as overfiring, or negative air pressures caused by mechanical systems such as furnaces, fans, clothes dryers, etc.

This limited Lifetime Warranty does not apply to hearth components or other accessories used in conjunction with the installation of this product not manufactured by Aladdin Hearth Products.

This limited Lifetime Warranty is effective on all gas stoves sold after September 1, 1996, and supersedes any and all warranties currently in existence.

IMPORTANT

This warranty is not valid unless the warranty registration card has been properly completed in full and returned within 10 days from the date of purchase to Aladdin Hearth Products, 401 North Wynne Street, Colville, WA 99114-2153. Proof of purchase is required to secure warranty.

FOR YOUR RECORDS

Date of Purchase _____ Model # _____

Authorized Dealer _____ Serial # _____

Copyright Aladdin Hearth Products, August 1997 (842-2620)